

**BREEZE HD** is the latest development from Atlantas Marine, bringing to market a “plug and play” twisted pair ROV camera.

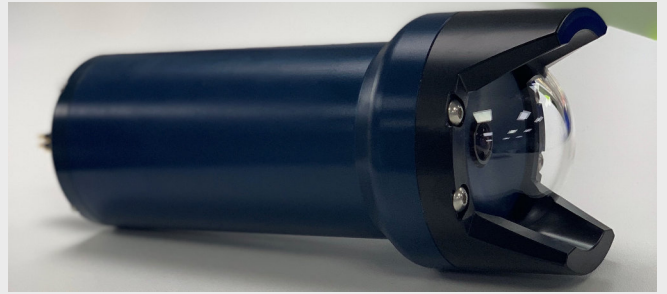
**BREEZE HD** streams HD colour video from the ROV to a topside PC over a single copper twisted pair, negating the need for an expensive fibre tether upgrade. The camera is compatible with almost all ROV systems and is small and light enough to be mounted on even the smallest of vehicles

## FEATURES

- View & Record HD Video in real time on PC
- Works over 750m+ of copper tether
- Small & Light
- Wide Angle Lens
- Easy to Install
- Compatible with almost all ROV systems

## WHAT'S IN THE BOX

- **BREEZE HD** Camera
- Rugged storage case
- HD interface box & cables
- USB Software stick
- 0.6m camera whip



**BREEZE HD** from Atlantas Marine Ltd.



**BREEZE HD** mounted on a VideoRay Pro 4



A still shot taken of the cockpit of a submerged light aircraft



ROV pilot's view - **BREEZE HD** with VideoRay cockpit instruments

**SPECIFICATION - BREEZE HD**

**Video**

<b>HD Resolution</b>	1080p / 720p
<b>Frame Rate</b>	30 / 25 FPS
<b>Light Sensitivity</b>	0.2 LUX
<b>Sensor Type</b>	1/2.8" SONY CMOS
<b>HD Compression</b>	H.264 / MJPEG
<b>SD Video</b>	Live simultaneous analogue output PAL / NTSC
<b>Auto Video Settings</b>	Exposure / Wide Dynamic Range / White Balance

**Mechanical**

<b>Length</b>	218mm (excluding connector)
<b>Maximum Diameter</b>	95mm
<b>Clamping Diameter</b>	75mm
<b>Weight in Air</b>	1.40 Kg
<b>Weight in Seawater</b>	0.48 Kg
<b>Housing Material</b>	Aluminium 6082-T6
	Hard Anodised / Black Delrin
<b>Camera Connector</b>	MCBH6M
<b>Depth Rating</b>	500m

**Electrical**

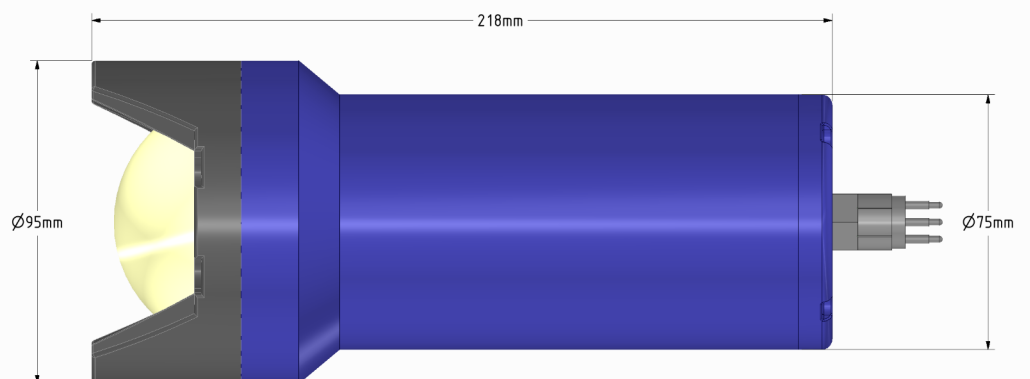
<b>Camera Supply Voltage</b>	18-75 VDC
<b>Camera Max Power</b>	8 Watts
<b>HD Interface Power</b>	5 VDC USB
<b>PC Connection</b>	Ethernet RJ45

**Optical**

<b>Focal Length / Lens</b>	2.5mm
<b>Angle of View</b>	130° in water
<b>Focus</b>	Fixed



HD Interface Box Drawing



BREEZE HD Drawing

**SEE BREEZE HD IN ACTION:** <https://www.youtube.com/watch?v=tpnBg0Vt454&t=70s>