

BREEZE HD

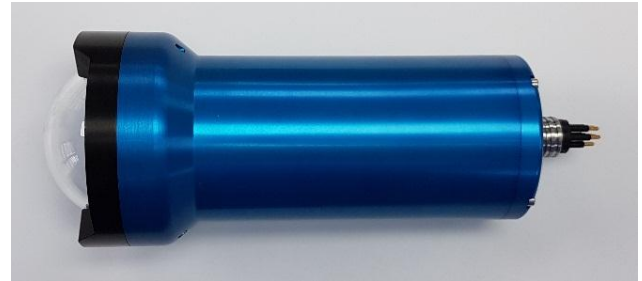
High Definition Colour ROV Camera

Atlantas ^{MARINE}

Description

BREEZE HD is the latest development from Atlantas Marine, bringing to market a “plug and play” twisted pair ROV camera.

BREEZE HD streams HD colour video from the ROV to the topside control panel over a single copper twisted pair, negating the need for an expensive fibre tether upgrade. The camera is compatible with almost all ROV systems and is small and light enough to be mounted on even the smallest of vehicles



Features

- View & Record High Definition Video in real time on PC
- Works over 750m + of copper tether
- Small & Light
- Wide Angle Lens
- Easy to Install
- Compatible with almost all ROV Systems

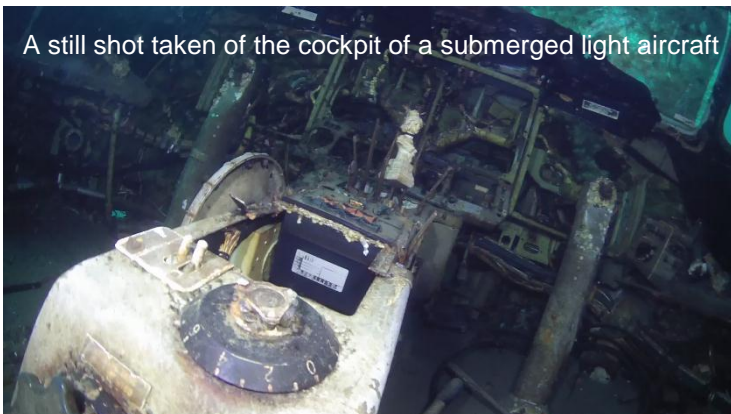
What's in the box?

- **BREEZE HD** Camera
- Rugged Storage Case
- HD Interface Box & Cables
- USB Software Stick
- Tool Kit
- 1m camera whip
- Bracket & Mounting Screws



BREEZE HD mounted on a VideoRay Pro 4

A still shot taken of the cockpit of a submerged light aircraft



BREEZE HD footage live in VideoRay's cockpit software

Atlantas ^{MARINE}

www.atlantasmarine.com/product/breeze-hd

Specification – BREEZE HD

Video

HD Resolution	1080p / 720p
Light Sensitivity	0.2 LUX
Sensor Type	1/2.8" SONY CMOS
HD Video Compression	MJPEG / H.264
SD Video	PAL Standard (NTSC option)
Exposure Control	Auto
Wide Dynamic Range	Auto
White Balance	Auto

Electrical

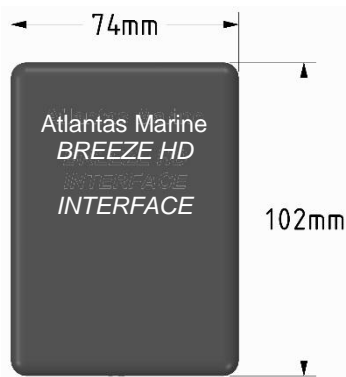
Camera Supply Voltage	9-36 VDC
Camera Max Power	5 Watts
HD Interface Power	5 VDC USB
PC Connection	Ethernet RJ45

Mechanical

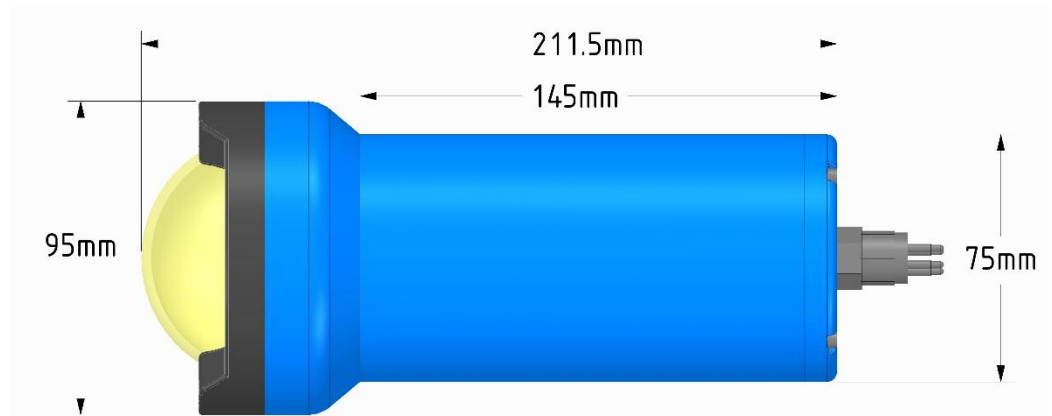
Length	211.5mm (excluding connector)
Maximum Diameter	95mm
Clamping Diameter	75mm
Weight in Water	480g
Housing Material	Aluminium 6082-T6 Hard Anodised / Black Delrin
Camera Connector	MCBH6M
Mounting Bracket Material	Black Delrin
Depth Rating	500m

Optical

Focal Length	2.5mm
Angle of View	130° in water
Focus	Fixed



HD Interface Box Drawing



BREEZE HD Drawing